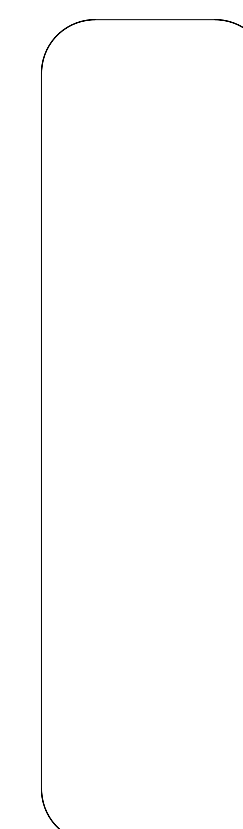


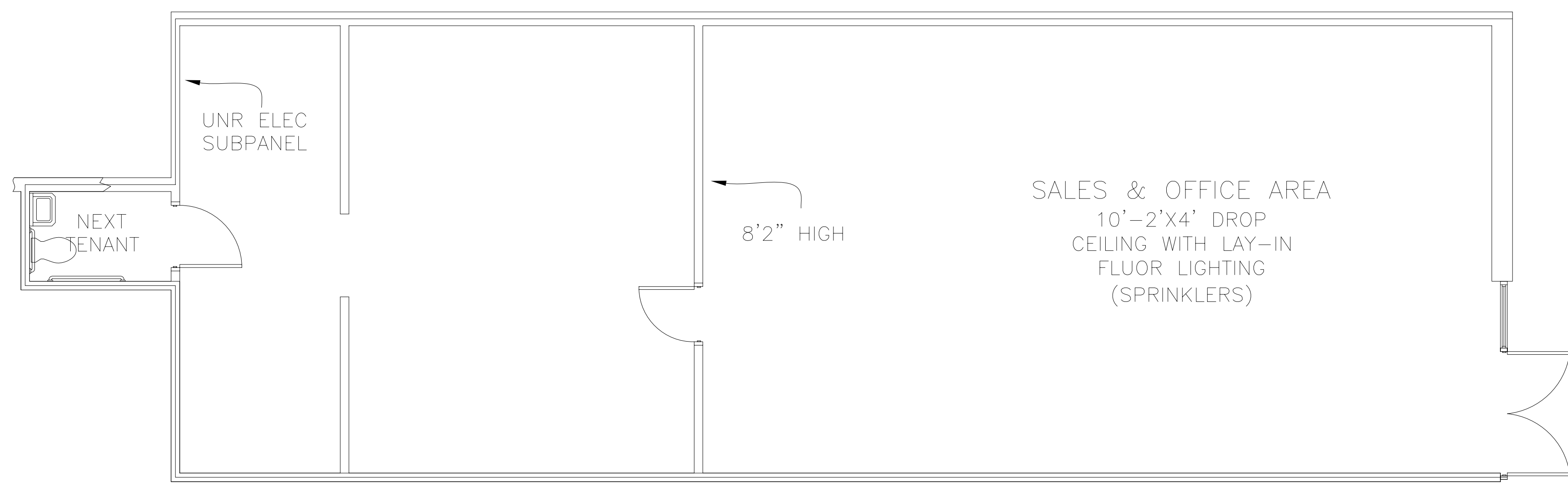
MALON D MIMMS CO  
85-A MILL ST.  
ROSWELL, GA 30075  
770-518-1100

VACANCY  
SUITE 202-B  
CUMMING 400 SHOP CTR  
CUMMING, GA 30040

SPACE PLAN



|   |
|---|
| <small>DRAWN</small><br>RONINDESIGNGROUP    |
| <small>CHECKED</small>                      |
| <small>DATE</small><br>10/10/2007           |
| <small>SCALE</small><br>AS SHOWN            |
| <small>JOB NO.</small><br>MIMMS4481         |
| <small>SHEET</small><br>A-1                 |
| <small>1 OF</small> SHEETS <small>1</small> |



EXISTING FLOOR PLAN:  
SCALE: 1/4" = 1'

NOTE: DIMENSIONS ARE FOR INTERIOR REFERENCE ONLY,  
AND DO NOT REFLECT TOTAL SUITE SQUARE FOOTAGE.